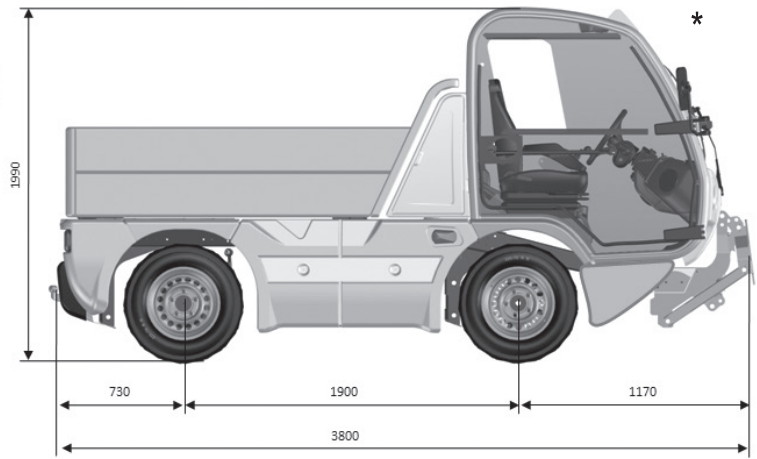




M 200 H

EL VEHICULO MULTIUSOS QUE FACILITA TU TRABAJO
 THE TOOL-CARRIER THAT MAKES YOUR WORK EASIER
 MULTISERVICE DAS VIELSEITIGE FAHRZEUG FÜR DIE KOMMUNE UND DEN DIENSTLEISTER
 LE VEHICULE MULTISERVICE QUI FACILITE VOTRE TRAVAIL





TECHNICAL SPECIFICATIONS

		M 200 H 4x2x2	M 200 H 4x2x4	M 200 H 4x4x4
Weight	Load Capacity	2500 Kg		
	Unloaded weight *	2110 - 2455 Kg		
	Gross weight	5000 Kg		
Maneuverability	External turning radius	3623 mm	2762 mm	2762 mm
Engine	Make	VOLKSWAGEN		
	Type	2.0 TDI		
	Emissions	Euro 5		
	Power (Kw -HP)	75 -102 (3000 rpm)		
	N. Of Cylinders	4		
	Cooling system	Liquid with variable speed fan and auto cleaning system		
	Fuel	Diesel		
	Tank capacity	60 l		
Transmission	Type	Hydrostatic Rexroth with 2 wheel radial motors on rear axle		Hydrostatic Rexroth with 2 wheel radial motors on each axle
	Max speed	40 km/h		
	Max working speed	25 km/h		
	Gradient negotiable	27% at full load (30% at 4500 Kg)		37% at full load
Brakes	Service	Servo assisted brake, disk brake on front wheels and drum brakes on rear wheels		Servo assisted brake. Drum brakes on rear wheels
	Parking	Negative parking brake, hydraulically released		
Steering	Type	Orbitrol hydraulic steering		
	Modes	Front	Front / Front + Rear	Front / Front + Rear
Suspension	Front	Hydraulic damper & helicoidal spring		
	Rear	Hydraulic damper, helicoidal spring & anti roll bar		
Wheels	Front / Rear	225 / 70 R15		
Auxiliary hydraulic circuit	Hydraulic Pump	Triple gear pump - 22cc - 16cc - 11cc		
	Front Quick Couplings	3 quick-attach and independent hydraulic couplings (5 l/min) and 1 quick-attach hydraulic coupling (50 l/min)		
	Rear Quick Couplings	1 quick-attach and independent hydraulic couplings (5 l/min) - 1 quick-attach and independent hydraulic couplings (20 l/min) - 1 quick-attach and independent hydraulic couplings (50 l/min)		
Cargo Box	Dimensions	1790 x 1260 x 420		

STANDARD EQUIPEMENT

Front plate tool-carrier Link® System
Driver position on the left side of the vehicle
Driver seat with mechanical suspension
Passenger seat
Steering wheel with regulation on height and depth
High capacity heater
Electronic control for the speed of the engine
Electronic control for the speed of the vehicle
Radio pre installation
Quick coupling Link® system
AUSA fuel saving system (A.F.S.) in long distance travel at high speed

OPTIONAL EQUIPEMENT

Front plate tool-carrier Link® System - Triangular coupling bracket
Driver position on the right side of the vehicle
Driver seat with pneumatic suspension
Electrically adjustable rear mirrors with heater
Working LED lights on the top of the cabin
Automatic grease system
Air conditioning
Radio-CD & MP3 + Bluetooth
Towing hitch (50 mm ball & 13 pins) with electric socket
Towing capacity 750 kg without brake; 3.500 kg with brake
Extensible legs for cargo box disassembly
Camera rear vision with display in cabin